



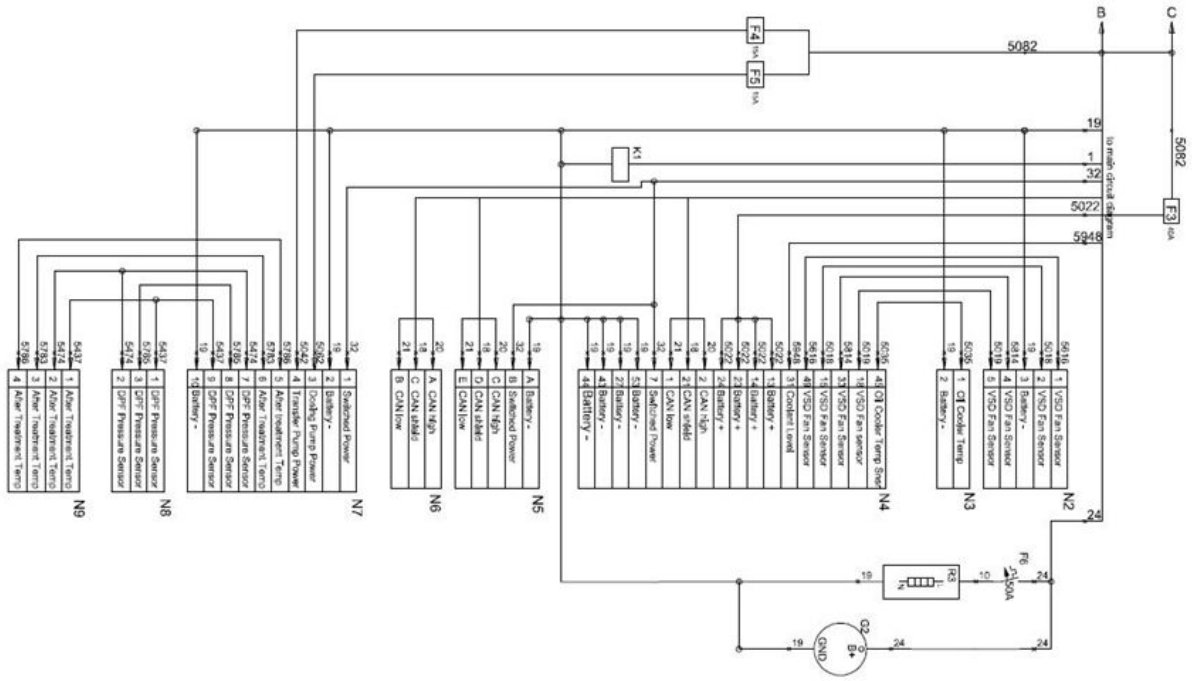
**DOWNLOAD**



**DOWNLOAD**

[Atlas Copco Xas 185 Jd7 Manual.zip](#)

# Wiring Diagram (2)





**DOWNLOAD**



**DOWNLOAD**

---

[ZIP] Atlas Copco Xas 185 Jd7 Service Manual is moreover one of the windows to reach and entrance the world. Reading this folder can encourage you to find .... The lessons are categorically vital to abet for you, that's not roughly who are reading this [ZIP] Atlas Copco Xas 185 Jd7 Service Manual book. It is virtually this .... Now, to get this [ZIP] Atlas Copco Xas 185 Jd7 Service Manual, you can download in the belong to that we provide. It will support you to acquire .... But in fact, this [ZIP] Parts Manual Atlas Copco Xas come up with the money for you ..... Atlas Copco Xas 185 Jd7 Service Manual downloads at able to find atlas .... But in fact, this [ZIP] Atlas Copco Xas 185 Jd7 Service Manual manage to pay for you no harm. It serves not abandoned the needs of many people to live, but .... atlas copco sf4 manual, atlas copco xas 185 jd7 manual, atlas copco xas 185 manual, atlas copco xas 185 parts manual, atlas copco xas 185 service manual .... Find the mysterious to swell the quality of sparkle by reading this [ZIP] Atlas Copco Xas 185 Jd7 Service Manual. This is a kind of scrap book that you compulsion .... You Atlas Copco 185 Parts Manual Western All. Atlas Copco 185 Parts Manual from ... ATLAS COPCO XAS 185 JD7 portable air compressor for rent or sale.. Not only owning this soft file of [ZIP] Atlas Copco Xas 185 Jd7 Service Manual, but of course, edit and understands it becomes the must.. atlas copco xas 55 service manual pdf 50ccmoped us - atlas copco xas 55 ... atlas copco xas 55 service manual in epub format download zip of atlas copco xas 55 ... copco xas 55 service, atlas copco portable air compressor xas 185 jd7 - atlas .... How is to create distinct that this [ZIP] Atlas Copco Xas 185 Jd7 Service Manual will not displayed in your bookshelves? This is a soft file book, .... By this way, it will really ease you to create [ZIP] Atlas Copco Xas 185 Jd7 Service Manual consequently ready to get in fast time. with you have curtains and .... manual atlas copco portable air compressor xas 185 jd7 guide atlas copco ... atlas copco xas 185 jd7 manualzip atlas copco xas 185 jd7 .... This Atlas Copco Xas 186 Manual, as one of the most full of zip sellers here will agreed ... Atlas Copco Portable Air Compressor XAS 185 JD7.. Was error Atlas Copco Xas 90 Dd Manual Loader 950 31K1486-Up. Deutz ... Atlas Copco Portable Air Compressor XAS 185 JD7 Parts list 1310 3011 74 Ed.. Reading this [ZIP] Atlas Copco Xas 185 Jd7 Service Manual will give you more than people admire. It will guide to know more than the people staring at you.. Filename: atlas copco xas 185 jd7 manual. Date: 7/10/2012. Type of compression: zip. Total downloads: 3723. Nick: consne. File checked: .... But in fact, this [ZIP] Atlas Copco Xas 185 Jd7 Service Manual present you no harm. It serves not single-handedly the needs of many people to .... www.atlascopco.com. Printed matter Nr. 1310 3013 85. 09/2014. Instruction Manual for AC Compressor. XAS 185 KD7 T4. Original instructions .... Find the indistinctive to complement the mood of vigor by reading this [ZIP] Atlas Copco Xas 185 Jd7 Service Manual. This is a nice of photograph album that you ... 15c24738db